

SHED FELT

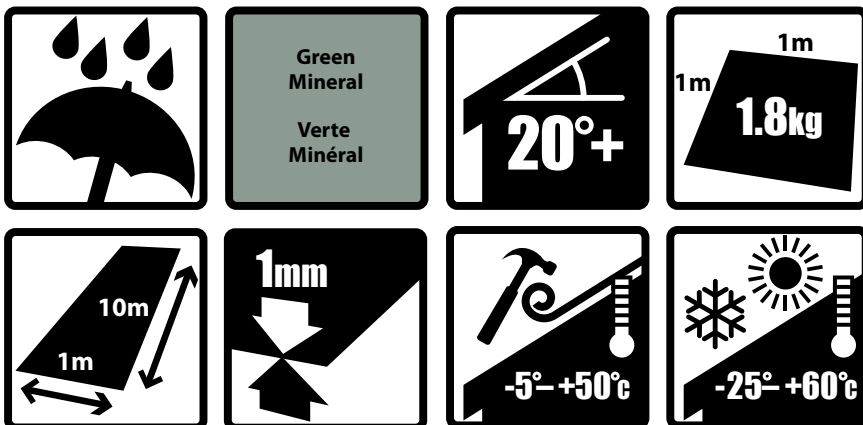
Waterproof bituminous glass fibre membrane

- Used on garden sheds, hutches & kennels
- Fixed using nails and felt adhesive
- Quick and easy to install (instructions on reverse)
- Life expectancy 5 years

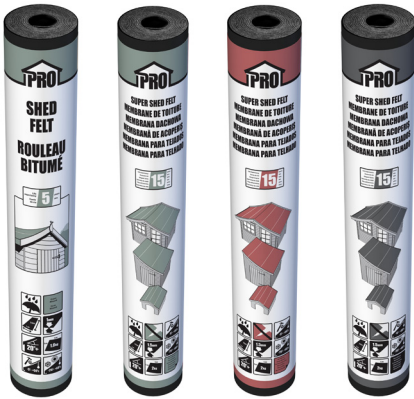
Manufactured in the UK for Radmat Building Products Ltd, Holland House Valley Way, Rockingham Road, Market Harborough, Leicestershire, LE16 7PS.
Hotline number +44 (0) 1858 412109 support@rooftrade.co.uk









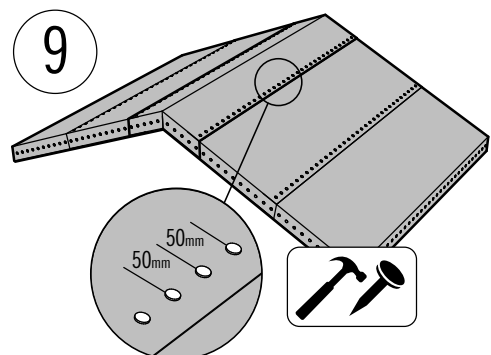
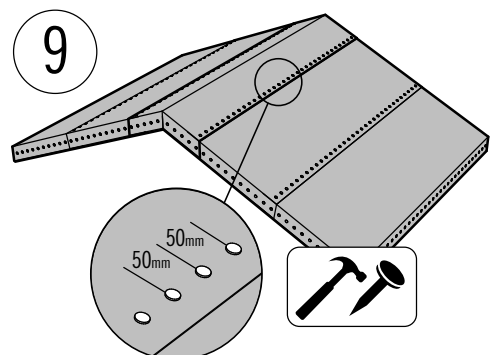
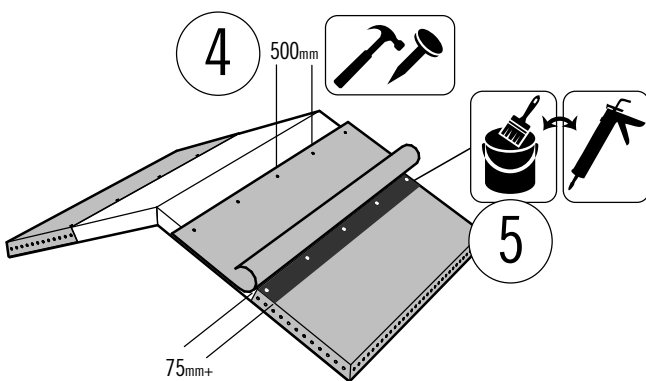
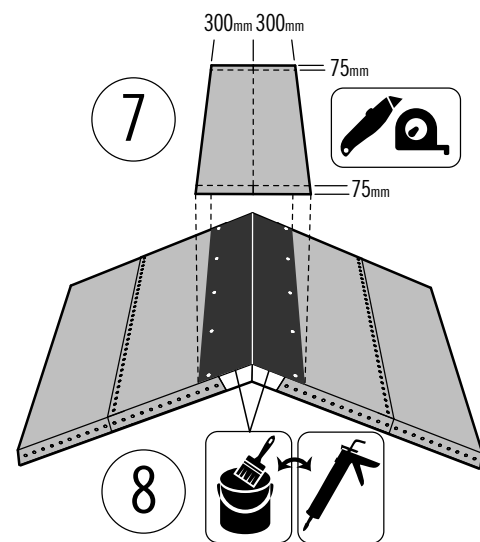
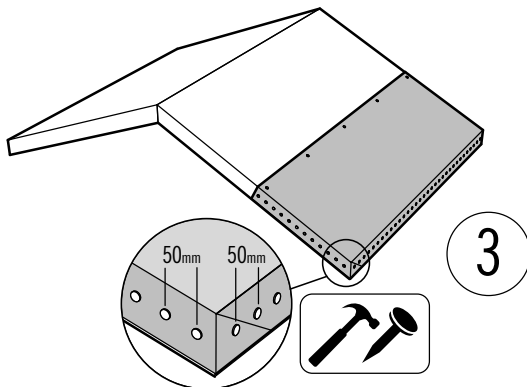
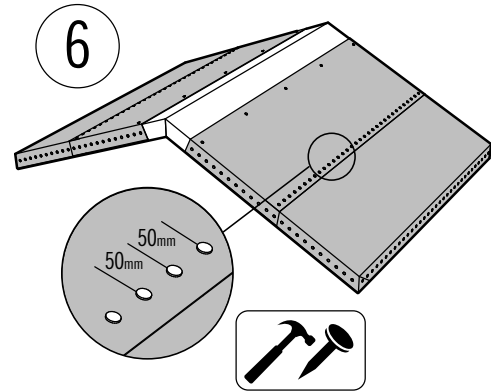
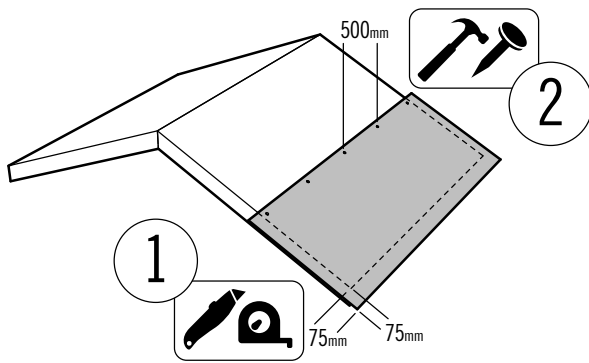
Declaration of Performance (DOP)
available at www.rooftrade.co.uk
Déclaration de Performance (DoP)
disponible sur www.Rooftrade.co.uk



Fitting Instructions



Required • Requis			
	Roofing felt adhesive Adhésif pour membrane de toiture		Roofing felt lap mastic Mastic pour membrane de toiture
			



Declaration of Performance

EAN Numbers:	5060382232791, 5060382232937
Reference Numbers:	800351, 800462
Factory Production Control Certificate Number:	0809-CPR-21000631

1. Product Group:

Glass Shed Felt

2. Unique Product Name / Codes:

Roof Pro 5 Year Roof Membrane Green (5060382232791, 5060382232937)

3. Intended use or uses of the construction product, in accordance with the applicable harmonised technical specification, as foreseen by the manufacturer:

Roof waterproofing. For use on apex and pent roofed non-habitable garden buildings and animal shelters, either mechanically fixed and/or adhered with felt adhesive. A glass fibre carrier based modified bitumen roofing membrane finished with a fine grade green slate granule upper surface to aid UV protection.

4. Manufacturer:

Radmat Building Products Ltd,
Holland House,
Valley Way,
Rockingham Road,
Market Harborough,
LE16 7PS,
United Kingdom

5. Authorised Representative:

Radmat (Ireland) Limited, 3 Inns Quay, Dublin 7, Ireland

6. System or systems of assessment and verification of constancy of performance of the construction product as set out in the Annex V of the CPR:

System 2+

7. Notified Body:

FPC Certificate obtained from Eurofins Expert Services OY, EU Notified Body registered under registration number 0809 with reference to **EN 13707:2004+A2:2009** and **CPR 305/2011/EU**.

8. Not applicable.

This information given in good faith being based on the latest knowledge available to Radmat Building products Ltd.

Whilst every effort has been made to ensure that the contents of the publication are current while going to press, customers are advised that products, techniques and codes of practice are under constant review and liable to change without notice.

Declaration of Performance

9. Declared Performance:

*tolerance of $\geq 150\text{mm}$

**tolerance of $\pm 1.5\%$

***tolerance of $\pm 7.5\%$

Characteristic	Specific Test ref.	Declared Performance	Harmonised Standard (hEN)
Roll length*	EN 1848-1	10m	EN 13707:2004+A2:2009 for all
Roll width**	EN 1848-1	1m	
Weight***	EN 1849-1	18kg	
Watertightness	EN 1928 method a.	PASS	
Tensile strength:**** Longitudinal Transverse Elongation at maximum load: Longitudinal Transverse	EN 12311-1 EN 12311-1	490 N/50mm 330 N/50mm 3% 3%	
Resistance to tearing:**** Longitudinal Transverse	EN 12310-1	65 N 70 N	
Flexibility at low temperature	EN 1109	NPD	
Durability	EN 1296	NPD	
Straightness	EN 1848-1	PASS	
Visible Defects	EN 1850-1	PASS	
External Fire Performance	EN13501-5	F _{ROOF} (T4)	
Reaction to Fire	EN13501-1	F	

****tolerance of $\pm 15\%$

10. The performance of the product identified in 1. and 2. above is in conformity with the declared performance stated in 9.

Signed by and on behalf of the supplier by:



Robert Speroni
Managing Director
January 2021

This information given in good faith being based on the latest knowledge available to Radmat Building products Ltd.
Whilst every effort has been made to ensure that the contents of the publication are current while going to press, customers are advised that products, techniques and codes of practice are under constant review and liable to change without notice.